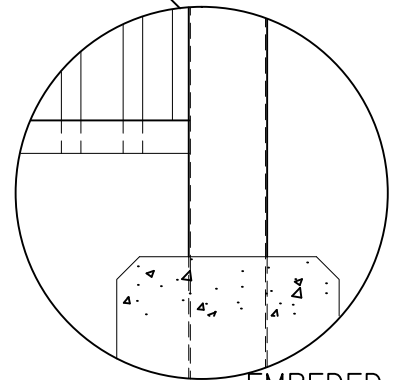
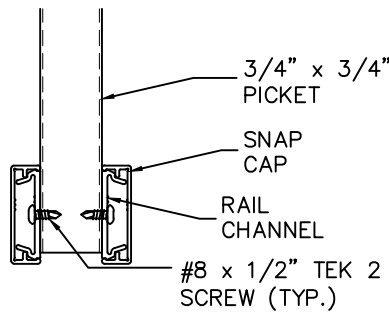


SECTION A-A



TOP MOUNTED
ON CONCRETE
OR WOOD

EMBEDED
IN CONCRETE

SPECIFICATIONS:

POSTS, RAILS:
& PICKETS EXTRUDED MARINE 6063-T5
PRIME ALUMINUM, CANADIAN PRODUCED

FINISH: SEVEN STAGE ARCHITECTURALLY
CERTIFIED PRETREATMENT AS
PER AAMA 2604

POSTS: 51mm x 51mm(2" x 2") x 1.65mm WALL

POST CAPS: PYRAMID OR BALL

PICKETS: 19mm x 19mm (3/4" x 3/4") .050 WALL

PRIVACY PANEL: CORRAGATED ALUMINUM .060 WALL

STANDARD PANEL HEIGHTS:

1219mm (48")

1524mm (60")

1829mm (72")

STANDARD COLOURS:

BLACK, WHITE AND PEWETER

WARRANTY: 25 YEAR LIMITED

***OPTION:**

76mm x 76mm (3" x 3") POSTS AVAILABLE

25.4mm (1") PICKETS AVAILABLE

FOR COMMERCIAL APPLICATION

***NOTE:** FOR CLEAN AND SEAMLESS FINISH, NO FASTENERS ARE EXPOSED.

COMMENTS:

	TITLE:	ALUMINUM FENCES STYLE AF-A13	DRAWING No.	AF-A13
	CHK'D:	DATE:	FEB. 12/2020	