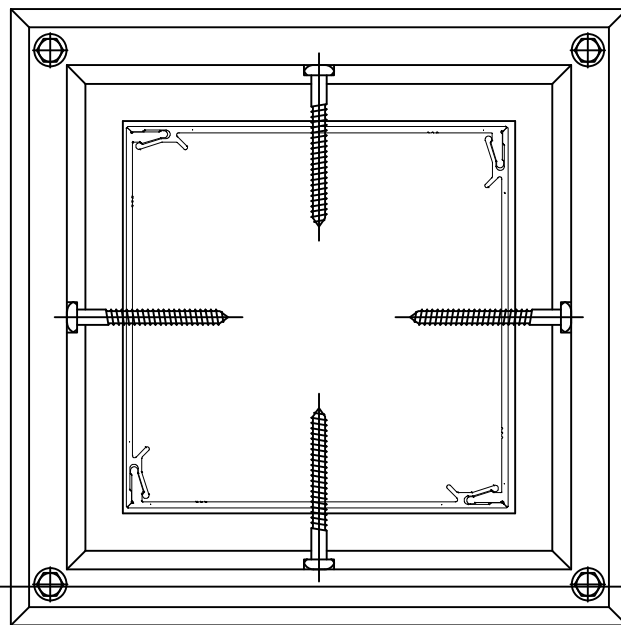
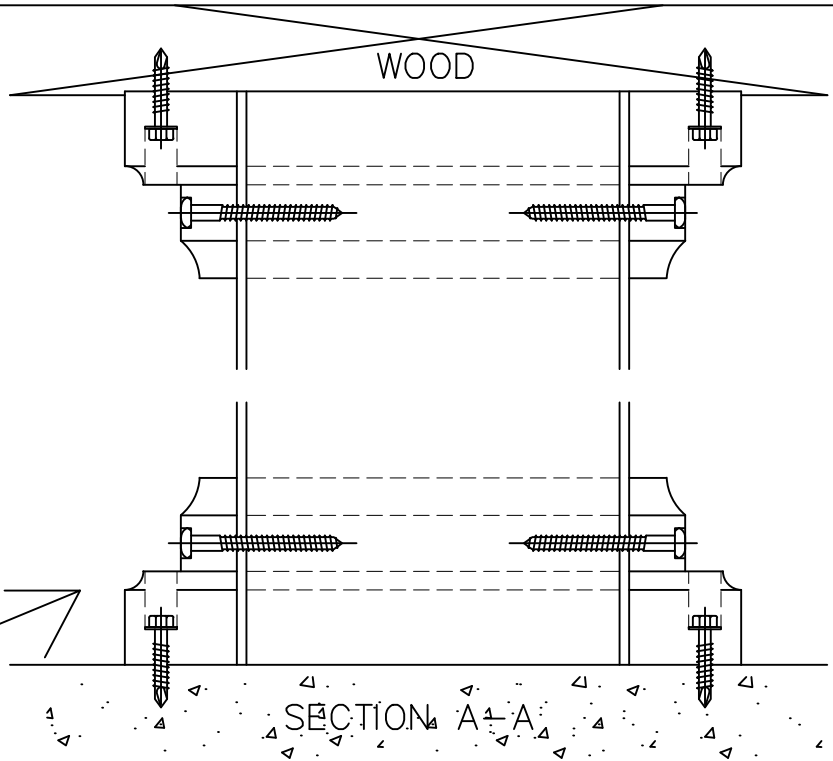
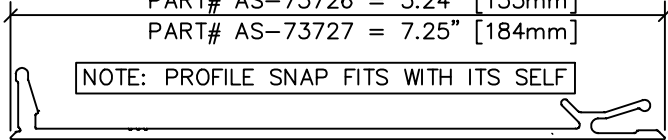


TOP MOUNTED
ON CONCRETE
OR WOOD

PART# AS-73726 = 5.24" [133mm]

PART# AS-73727 = 7.25" [184mm]

NOTE: PROFILE SNAP FITS WITH ITS SELF



PLAN

SPECIFICATIONS:

COLUMN: EXTRUDED MARINE 6063-T5
PRIME ALUMINUM, CANADIAN PRODUCED

FINISH: SEVEN STAGE ARCHITECTURALLY
CERTIFIED PRETREATMENT AS
PER AAMA 2604

COLUMNS: 133mm x 133mm(5 1/4"x 5 1/4") x 2.16mm WALL
184mm x 184mm(7 1/4"x 7 1/4") x 2.16mm WALL

COLUMN HEIGHT:

2743mm (9')

BASES (TOP & BOTTOM: PLASTIC/PVC

*NOTE: FOR CLEAN AND SEAMLESS FINISH, NO FASTENERS ARE EXPOSED.

STANDARD COLOURS:

BLACK, WHITE AND PEWETER

WARRANTY: 25 YEAR LIMITED

COMMENTS:



TITLE:

ALUMINUM COLUMNS
STYLE AC-A1

DRAWING No.

AC-A1

CHK'D:

DATE: JAN. 21/2022